

THERMAL TRANSFER OVERPRINTERS

SVM 53-70 I SVM 53 C



SPECIFICATIONS

The 53x70 I and 53 C high performance, low cost thermal transfer printers are versatile enough for printing fixed and variable text, data and graphics. It is ideal for reproducing bar codes, real time, sell-by dates, batch numbers, prices, source codes and much more. The 53x70 I and 53 C has two component models of bracket can be easily integrated to the machines such as vertical and horizontal from-fill-seal systems, primary labellers, thermo formers and overwrapping equipments. The units are suitable for all intermittent and continuous applications within the food, pharmaceutical cosmetics, and automobile spare parts industries has the capability to code all kinds of 1D barcodes and 2D datamatrix codes.

KEY FEATURES

- Patented long life mechanical design needs no maintenance
- 53mm x 70mm print area for intermittent and 53x125mm for continuous
 - 600m ribbon capacity
 - Print Quality 300dpi (12 dot / inch).
 - Up to 650mm per second print speeds
- The USB can be used to:
 - Move messages and configurations between printers for local based set-up
 - Back-up and restore messages and printer settings
 - Large memory for all label formats to be stored locally.

Savema

Marking and Coding Machines
www.savema.com.tr

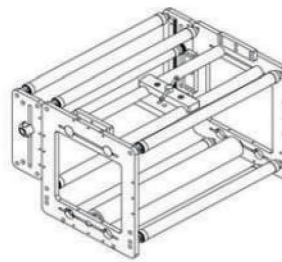
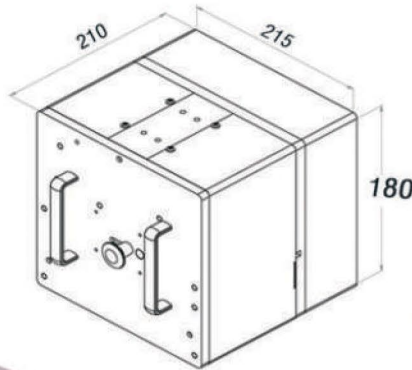
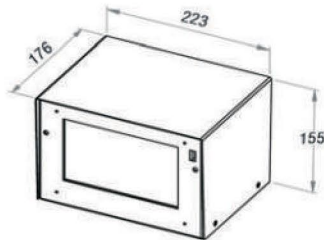
SVM 53-70 I // SVM 53 C

Specifications

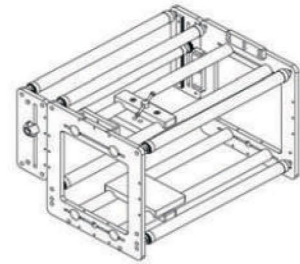
	53-70 I	53 C
Print Area	Width 53mm	Width 53mm
	Length 70mm	Length 125mm
Resolution	12 dots/mm (300dpi) horizontally and vertically	
Print Speed	Up to 450mm / second	650mm / second
Production	350 prints/min (in one line) 500 prints/min	
Thermal Ribbon	600 meter (656 yds.) loaded ribbon	
Memory	350 text memory	
	USB standart	
Power Supply	110/220/240 V 50/60 Hz	
Air Supply	min. 1 bar - max. 4 bar	
Wight (printer)	9,4 kg	
Dimensions	180mm H x 215mm W x 210mm D	
Outputs	Machine on error (failsafe) - image ready, power on, print per minute etc	
Ribbon Widths	22 mm and 35 mm. - 55 mm. (0,9" - 1,4"-2,2")	
Operating Temperature	5° - 50°C (41° - 104°F)	
Control Panel	7" Touch Screen Panel	

Programming

Fields	Real DATE/Time, Text, Barcode, 2D Barcodes, Logo, Counter (Serial No), Shift Code, Shape, Currency
Barcodes	1 D Barcodes, 2 D Barcodes, Datamatrix EAN- 8,EAN-13,EAN-128, CODE 128, CODE 39, 1-2 of 5, CODE 93, CODE BAR DUN 14, ISBN, UPC-A, UPC-E 2D Datamatrix, QR Code, AZTEC Code, PDF417
Communications	RS-232 (PC), LAN Multi-language (12) support standard
Pc Programmes	SAYASIS Label Program



continuous



Intermittent



General Inquiries: info@tigerpak.ca
 Equipment Sales: sales@tigerpak.ca
 Service Requests and Inquiries:
service@tigerpak.ca
 Accounts Payable and Receivable:
accounting@tigerpak.ca

Tigerpak Industrial Supplies
 60-1275 Eglinton Ave. East
 Mississauga, ON L4W 2Z2

Tel. (289) 328-0651
 Fax. (289) 328-0652