

KGK JET CCS3000L

Printing stability assured with the use of the printhead with Fluorine made nozzle and printing in a high speed



Catalogue No.7250E

<http://www.kishugiken.co.jp/>



NEW

Much improved high definition printing for a high speed production line. Realizing multiple printing.

First in the industry !
A new printhead with Fluorine made nozzle

KGK makes the difference :

- Much improved printing stability.
- Fluorine made nozzle is kept from contamination.
- Can continue printing operation even without readjusting ink viscosity in a temperature shifting environment.

A lens is equipped on the printhead cover.

Thus, you can observe ink droplets condition clearly during the maintenance works.

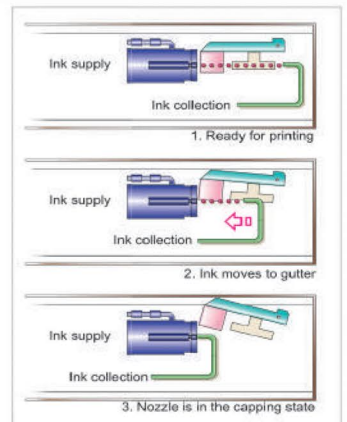
Touch panel is our standard.

Printing speed increased by 30% compared with our other models.



Nozzle capping system

Eliminates maintenance works for startup and stop. Makeup solvent consumption will be dramatically reduced.



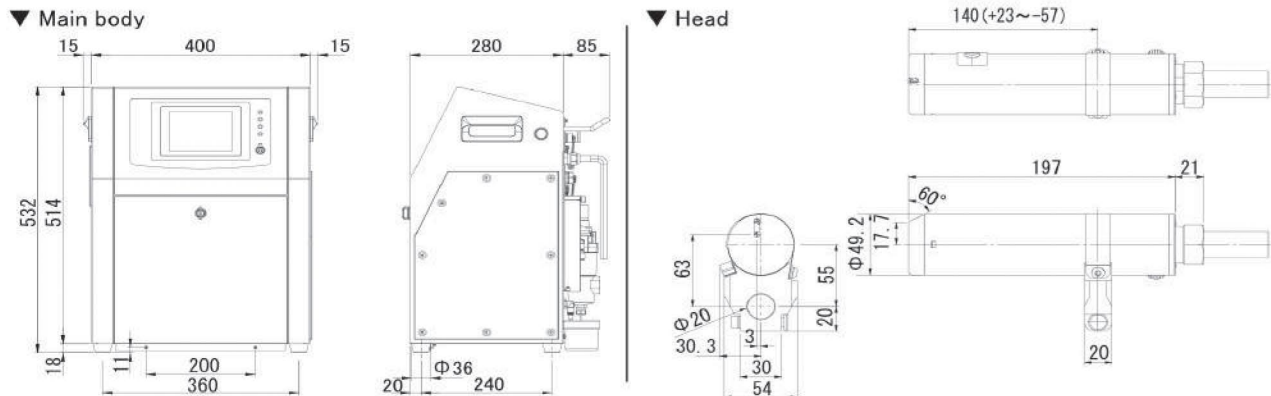
Print sample



● Specifications

Model	Dye machine
Type	CCS3000LD
Print method	Continuous system (charge control system)
Compatible ink (Refer to "Ink compatibility table")	Dye ink, and some of pigment ink
Dust- and water-proof	IP54
CE marking	Compliant
RoHS directive	Compliant
Screen size	5.7" color LCD / touch panel
Compatible nozzle	40μm / 50μm / 60μm
Character height	0.8 to 5 mm (40 μ m nozzle), 1 to 10 mm (50 μ m nozzle), 2 to 10 mm (60 μ m nozzle)
Maximum print speed [characters/second] (5 x 5 dot font, character spacing: 1)	3200 (40 μ m nozzle), 2632 (50 μ m nozzle), 2300 (60 μ m nozzle)
Character type	Alphabetical characters (uppercase/lowercase), numerical characters, symbols, Hiragana characters, Katakana characters, Kanji characters (JIS 1st and 2nd standard), simplified Chinese characters (GB2312), user-defined characters
Number of printing lines and number of dots (Vertical x horizontal)	1 to 5 lines: 5 x 5, 5 x N dots / 1 to 3 lines: 7 x 5, 7 x 8, 7 x N dots 1 to 2 lines: 12 x 10, 10 x 8, 9 x 7, 9 x 9 dots / 1 line: 24 x 18, 24 x 24, 16 x 12, 16 x 16 dots (Fonts named "_xN" are proportional fonts.)
Number of characters registered for a message	Up to 4096 characters
Number of messages registered	Up to 999 messages
Date/time (use-by date) printing function	Function of assignment of Christian year, Japanese-style year, date, day of week, time (12/24-hour format), Julian date, serial week number in a year, early/middle/late part of month (variable period setting), AM/PM, shift code, and character assignment function (year, month, day, hour, minute, second, and day of week) to up to 4 to 15 other characters
Numbering function	Up to 10 digits, initial value setting, up/down, carry (1 count can be set at 1 to 9999 workpieces), zero suppress function (high-order zero is replaced with a space, or left-justified), numbering character assignment function (numbering can be assigned to other characters than numerical characters), base setting (binary number to base 36 number), separable (a character can be inserted between numerical characters)
Distance printing function	Up to 10 digits, separable (a character can be inserted between numerical characters)
Barcode printing function	ITF, Code39, NW7, JAN, Code128
2D code printing function	QR code and Data matrix
Kana-kanji conversion	Available
External connection	signal lamp, RS-232C, encoder, USB media
Data entry	Touch panel, RS-232C communication
Communications function	RS-232C 1CH, up to 115,200 bps
Head cable length	3.5m
Dry air source (for air purging in the printhead)	Compatible tube outside diameter: 6 mm or 8 mm in diameter Air source pressure: 0.8 MPa or less, Air flow: 10 L/min or less Air ventilation set (in Japanese only), Air purge pump (Oversea)
Operating environment (temperature, humidity)	0 to 40 ° C (depending on the ink type) Refer to "Ink compatibility table", 10 to 85% (non-condensing)
Power	90 to 264 VAC (47 to 63 Hz), 80 W
Weight	25 kg
Grounding	Class D ground

● Dimensional drawing



Tigerpak Industrial Supplies
60-1275 Eglinton Ave. East
Mississauga, ON L4W 2Z2

Tel. (289) 328-0651
Fax. (289) 328-0652

General Inquiries: info@tigerpak.ca
Equipment Sales: sales@tigerpak.ca
Service Requests and Inquiries:
service@tigerpak.ca
Accounts Payable and Receivable:
accounting@tigerpak.ca