

# IV700™

## large character ink jet printer

### features & benefits

- **Prints** single-line alphanumeric messages
- **Print Speed** ranges from 5 fpm to 250 fpm
- **Choice** of 5-dot (1/2"), 7-dot (5/8"), 7-dot bold (5/8") fonts
- **Choice** of four high-visibility ink colors (black, red, blue, green)
- **Prints** up to 225,000 characters per 13.5 oz. can of ink
- **Large Ink Canister** can be replaced during production
- **Stores** up to 99 fifty-character messages
- **QWERTY Keypad** with many convenience features
- **Adjustable Printhead** for side, top and bottom printing
- **Printhead** has robust metal housing sealed for harsh conditions
- **Features:** 12 function keys for editing; built-in count, shift, time and date codes; "ink out" alarm; two-line, 40-character liquid crystal display; modular printhead



IV700 prints on porous and non-porous surfaces.

### Economical ink jet printer for one-line coding applications

The IV700 is the market's best value among low-cost large character ink jet printers. Designed to surpass competitive systems in print quality, print speed, message control and printhead flexibility, it offers reliable printing of single-line codes at a very affordable price.



Prints 1 line, up to 50 characters.



Top, side or bottom printing.



**Diagraph**®

An **TW** Company

World class systems, Real world solutions.

## Printheads

Print Speed:	5 to 250 fpm (1.5 to 76 mpm)
Print Lines:	One alphanumeric line
Print Placement:	Side, top, bottom, inclined
Fonts/Styles:	5-dot (1/2"), 7-dot (5/8"), 7-dot bold (5/8") proportional fonts. Ten settings for most expanded character widths. Full ASCII character sets; English, Spanish, French, German, Japanese, Dutch, Italian.
Ink Throw:	Up to 1/4" (62 mm) from substrate
Dimensions:	4.45" W x 3.33" H x 8.66" D (113.0 mm x 84.6 mm x 220.0 mm)

## Controller

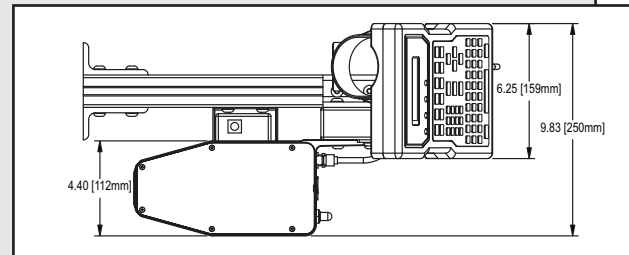
Microprocessor:	Motorola 68332
Input Device:	QWERTY keypad with number keys and LCD
Auto Codes:	Julian/Gregorian dates, time, sequential numbering, shift, item count, pallet/batch count, expiration date
Message Storage:	Up to 99 messages
Message Length:	Up to 50 characters
Diagnostics/Alarm:	LED indicators for power, photocell, printing, and low ink
Electrical:	96 - 264 VAC power supply
Temperature:	40° - 120° F (5° - 40° C)
Dimensions:	1.56" H x 6.25" W x 8.8" D (39.6 mm x 158.75 mm x 223.5 mm)
Options:	English/Asian, English/European, American models; external photocell; spare parts kit

## Inks & Ink Delivery System

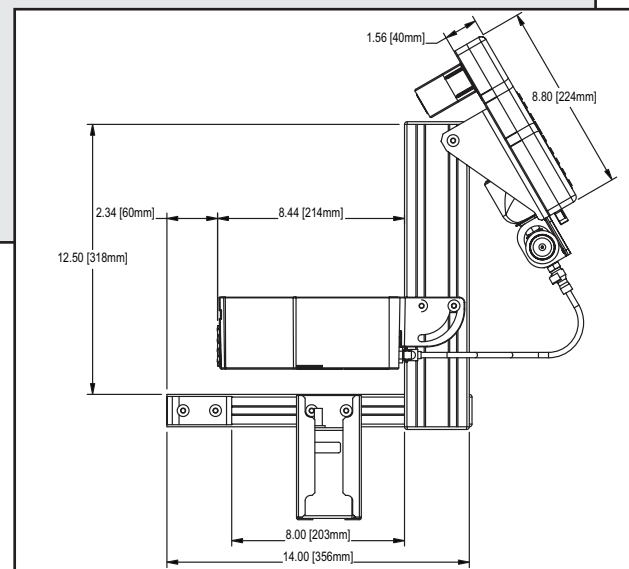
Ink Types:	Solvent-based formula for non-porous surfaces; SARA-compliant water-based formula for porous surfaces
Ink Colors:	Black, other colors available
Ink Supply:	13.5 oz. (400 ml) pressurized canister is standard; 5-gallon bulk ink supply is optional



**IV700 shown with optional bulk ink delivery system and alarm beacon assembly.**



**Top View**



**Side View**



## Tigerpak Industrial Supplies Ltd.

1655 Sismet Rd., Unit 31  
 Mississauga, ON L4W 1Z4  
 Phone: 416-836-8296 Fax: 905-290-6784  
[www.tigerpak.ca](http://www.tigerpak.ca) [sales@tigerpak.ca](mailto:sales@tigerpak.ca) [service@tigerpak.ca](mailto:service@tigerpak.ca)